

SURGICAL N95
RESPIRATOR

TC-84A-9375

TECHNICAL DATA SHEET

FEATURES & BENEFITS

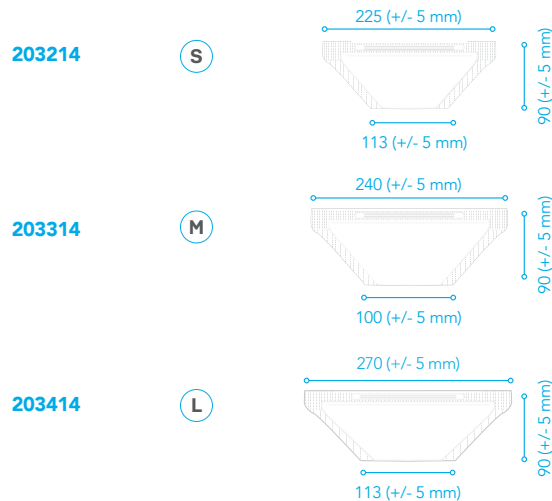
- Reliable respiratory protection that filters out 95% of particulate aerosols free of oil.
- High-quality materials and duck-bill shape.
- Lightweight, breathable construction.
- Unique single split comfort band.
- Adjustable nose piece.

RECOMMENDED USE

- Effective against particulate aerosols free of oil; time use restrictions may apply.

PRODUCT DETAILS

Product Name:	Medicom SafeMask[®] Architect Pro[™]
Product Type:	Single-use, non-sterile, three-layer construction
Strap:	Latex free synthetic rubber
Nose piece:	Plastic-covered iron
Colour:	White
Quantity per Inner Carton:	50
Country of Origin:	Canada



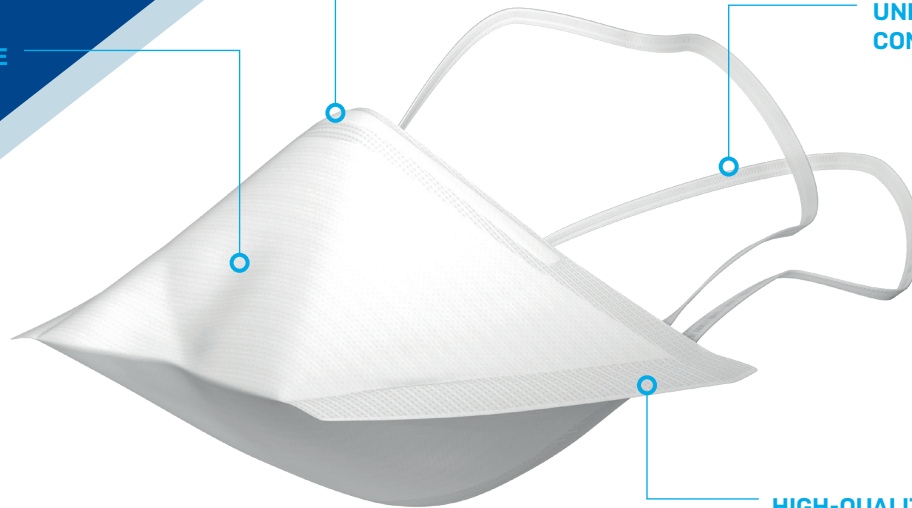
SURGICAL N95 RESPIRATOR

TEST	METHOD	RESULT
Biocompatibility: cytotoxicity, skin sensitization and skin irritation	ISO 10993-5 ISO 10993-10	Complies with the standard
Particulate filter efficiency (PFE)	42 CFR 84	≥ 95 %
Airflow resistance	42 CFR 84	Inhalation < 35 mm H ₂ O Exhalation < 25 mm H ₂ O
Fluid resistance (resistance to penetration by synthetic blood)	ASTM F1862	120 mm Hg
Flammability	16 CFR 1610	Class 1 - Complies
Fit	CAN/CSA Z94.4	A combination of all sizes fits > 90% of users

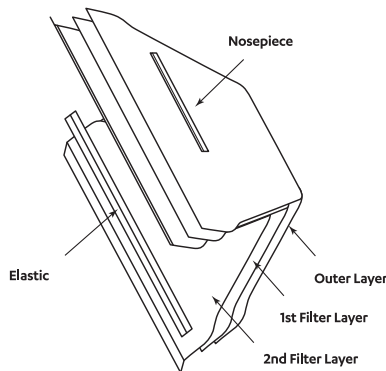
ADJUSTABLE NOSE PIECE

LIGHTWEIGHT, BREATHABLE
CONSTRUCTION

UNIQUE SINGLE-SPLIT
COMFORT BANDS



HIGH-QUALITY MATERIALS



HANDLING AND DISPOSAL

After use, the mask may contain biohazardous fluid. Handling and disposal should be in accordance with accepted practice for biohazard waste, in compliance with applicable laws and regulations.

PRECAUTIONS

- Use only on clean, healthy skin.
- Not for use in atmospheres containing less than 19.5 % oxygen.
- Not for use in atmospheres immediately dangerous to life or health.
- Do not exceed maximum use concentrations established by regulatory standards.
- Failure to properly use and maintain this product could result in injury or death.
- All approved respirators shall be selected, fitted, used, and maintained in accordance with MSHA, OSHA, CSA, and other applicable regulations.
- Never substitute, modify, add, or omit parts. Use only exact replacement parts in the configuration as specified by the manufacturer.
- Refer to User's Instructions, and/or maintenance manuals for information on use and maintenance of these respirators.
- Special or Critical User Instructions
This respirator has been approved as a surgical N95 filtering facepiece respirator, for use in healthcare settings conforming to recognized standards for biocompatibility, flammability, and fluid resistance.

CERTIFICATION & STANDARDS

ISO 13485 certified manufacturer.
Class 1 Medical Device.
Health Canada registered medical device manufacturer.
Medicom SafeMask Architect Pro N95 surgical respirator has full approval from the National Institute for Occupational Safety and Health (NIOSH) of the Centers for Disease Control and Prevention (CDC) under approval number TC-84A-9375. NIOSH certification means that the respirator has met the requirements of Title 42, Code of Federal Regulations, Part 84 (42 CFR 84).

STORAGE CONDITIONS

Store in a clean, dry location, between 5 °C and 40 °C.
Shelf life: 5 years.

Certain environmental conditions may lead to a yellowing in color of the SafeMask Architect Pro N95 masks. This phenomenon is only cosmetic in nature and has no impact to the quality, safety, and performance of the product.



Proudly made in Canada.

